



A TEREX BRAND

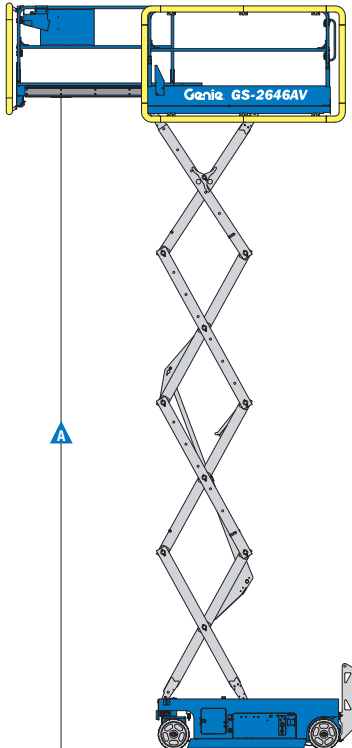
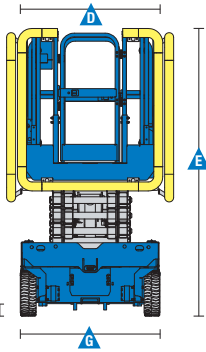
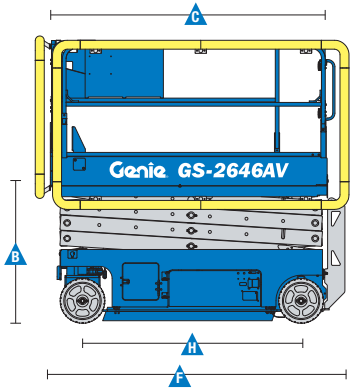


www.totalwarehouse.com
833-868-2500

Self-Propelled Scissor Lifts

GS™ -2646 AV

Specifications



Models	GS-2646 AV	
Measurements	US	Metric
Working height maximum ¹	32 ft	9.92 m
A Platform height maximum ²	26 ft	7.92 m
B Platform height stowed	4 ft 1 in	1.24 m
C Platform length - outside	7 ft 9 in	2.34 m
extended	12 ft 9 in	3.86 m
Extension deck	5 ft	1.52 m
D Platform width - outside	4 ft 8 in	1.42 m
Guardrail height	3 ft 7 in	1.09 m
Toeboard height	6 in	0.15 m
E Height - stowed	7 ft 11 in	2.40 m
F Length - stowed	8 ft 9 in	2.67 m
extended	13 ft 9 in	4.19 m
G Width - with protective padding	4 ft 8 in	1.42 m
H Wheelbase	6 ft 1 in	1.85 m
I Ground clearance - center	3.76 in	9.5 cm
- with pothole guards deployed	0.75 in	2 cm

Productivity

Maximum platform occupancy	3	
Lift capacity	900 lbs	408 kg
Lift capacity - extension deck	300 lbs	136 kg
Drive height	full height	
Drive speed - stowed	2.2 mph	3.5 km/h
Drive speed - raised	0.5 mph	0.8 km/h
Gradeability - stowed	25%	
Turning radius - inside	zero	
Turning radius - outside	7 ft 6 in	2.29 m
Raise / lower speed	30 / 30 sec	
Controls	proportional	
Drive	dual front wheel	
Multiple disc brakes	dual rear wheel	
Tires - solid non-marking	15 x 5 in	38 x 13 cm

Power

Power source	24 V DC (four 6 V 225 Ah batteries)	
Hydraulic system capacity	4.5 gal	17 L

Weight³ / Floor Loading⁴

Weight - ANSI/CSA	5,225 lbs	2,370 kg
Tire load, maximum	2,535 lb	1,150 kg
Tire contact pressure	169 psi	1,165 kPa
Occupied floor pressure	218 psf	10.43 kPa

Standards Compliance

ANSI A92.6, CSA B354.2,

¹ The metric equivalent of working height adds 2 m to platform height. U.S. adds 6 ft to platform height.

² Maximum clearance with extension deck deployed is 25 ft 9 in.

³ Weight will vary depending on options and/or country standards.

⁴ Note: Floor loading information is approximate and does not incorporate different option configurations. It should be used only with adequate safety factors.

Features

Standard Features

Measurements

GS-2646 AV

- 32 ft 6 in (9.92 m) working height
- Up to 900 lbs (408 kg) lift capacity

Productivity

- 92 x 45.3 in (2.30 x 1.15 m) steel platform
- 60 in (1.52 m) powered extension deck
- Drive at full height
- AC power to platform
- Full height swing gate
- Dual front wheel drive
- Front gate
- Gate and extension deck limit switches
- Universal 27A smart charger
- Rear recessed charger receptacle
- Padded aircraft protection rail (PAR)
- SmartLink™ - proportional lift and drive
- Platform control with battery charge indicator and diagnostic display
- Skydrol resistant paint
- Tread-grip deck
- On-board diagnostic system
- 28 mph (45 km/h) wind rating
- Lanyard attachment points
- Manual platform lowering valve
- Emergency stop at both platform and ground controls
- Rear wheel multiple disc brakes
- Front wheel hydraulic dynamic braking
- Manual hydraulic brake release
- Swing-out component trays
- Solid non-marking tires
- Pothole guards
- Tilt level sensor with audible alarm
- Dual flashing LED beacons
- Descent alarm
- Electronic horn
- Motion alarm

Power

- 24 V DC (four 6 V 225 Ah batteries)

Options & Accessories

Productivity Options

- Air line to platform
- Keyless switch
- Remote charging (no on-board charger)
- 35 mph (56 km/h) wind rating
- Platform control guard

Power Options

- EE rating
- Power inverter (120 V / 60 Hz)*
- AGM maintenance-free batteries
- Drive cutout while charging



* Not available with EE rating

TOTAL
WAREHOUSE

www.totalwarehouse.com

833-868-2500